

N.A. Woodworth

An ITW Workholding Company








Solid Carbide Inserts









WORKHOLDING SOLUTIONS WORLDWIDE

Carbide Insert Descriptions

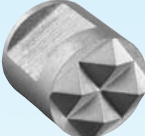


GENERAL PURPOSE INSERTS — ANGLE LOK STYLE

	<ul style="list-style-type: none"> Designed for heavy and medium duty applications Ideal for castings, forgings and bar stock High wear resistance Direct mounting in machined pocket Permits grip points at top of jaw 			
PC-127-4SC	PC-127-4SCS	PC-127-10SC	PC-128-4SC	PC-127-8SC
4 points / .561" wide	4 points / .391" wide	10 points / .561" wide	4 points / .750" wide	8 points / .561" wide
				
<ul style="list-style-type: none"> Heavy duty Maximum tooth penetration 	<ul style="list-style-type: none"> Heavy duty Maximum tooth penetration 	<ul style="list-style-type: none"> Medium duty Medium tooth penetration 	<ul style="list-style-type: none"> Heavy duty Maximum tooth penetration For use with larger chucks 	<ul style="list-style-type: none"> Medium duty Medium tooth penetration

SPECIFIC APPLICATION ANGLE LOK

<p>PC-130-2SCS (2 straight tooth / .396" wide)</p>  <ul style="list-style-type: none"> Medium duty Non-adjustable Medium tooth penetration Gripping narrow flange type parts 	<p>PC-130-4SC (4 straight tooth / .561" wide)</p>  <ul style="list-style-type: none"> Medium duty Non-adjustable Medium tooth penetration Gripping narrow flange type parts
<p>PC-132-2SCS (2 spherical straight tooth / .396" wide)</p>  <ul style="list-style-type: none"> Medium duty Non-adjustable Medium tooth penetration For use on compensating chucks Between centers shaft applications Reduces distortion from pull-back 	<p>PC-132-4SC (4 spherical straight tooth / .561" wide)</p>  <ul style="list-style-type: none"> Medium duty Non-adjustable Medium tooth penetration For use on compensating chucks Between centers shaft applications Reduces distortion from pull-back
<p>PC-145-5SC (5 45 deg. angle straight tooth / .561" wide)</p>  <ul style="list-style-type: none"> Medium duty Non-adjustable Medium tooth penetration Gripping narrow flange type parts Additional drive torque Direction of spindle rotation required 	<p>PC-110 (spherical / .561" wide)</p>  <ul style="list-style-type: none"> Non-adjustable For use on compensating chucks Between centers shaft applications Reduces distortion from pull-back No tooth penetration

MULTI-PURPOSE ROUND

PC-045-4SC	PC-070-4SC	PC-070-12SC
4 points / .312" dia.	4 points / .500" dia.	12 points / .500" dia.
		
<ul style="list-style-type: none"> Light duty Small chucking diameter's Non-adjustable 	<ul style="list-style-type: none"> Heavy duty Adjustable and non-adjustable Maximum tooth penetration 	<ul style="list-style-type: none"> Medium duty Adjustable and non-adjustable Medium tooth penetration

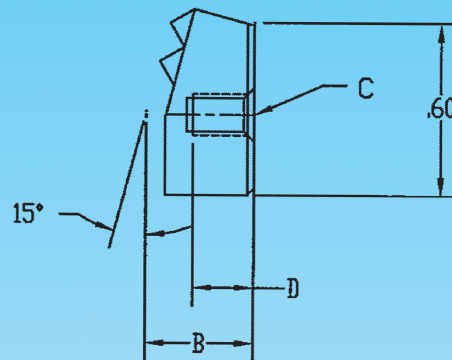
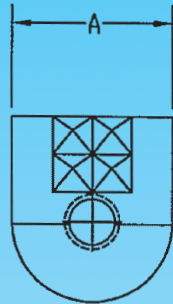


Sold in kits of (10) pieces (includes hardware)

To Order Phone: 1-800-544-3823 or 1-800-828-5755 / Or Go To: www.itww.com

ANGLE LOK STYLE - GENERAL DIMENSIONS

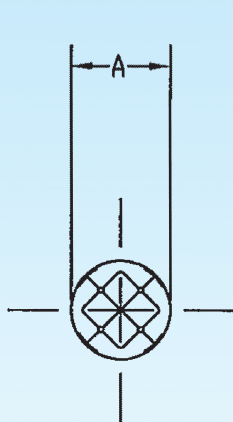
Solid carbide inserts available in a large range of configurations and tooth patterns, with a tapped hole for mounting.



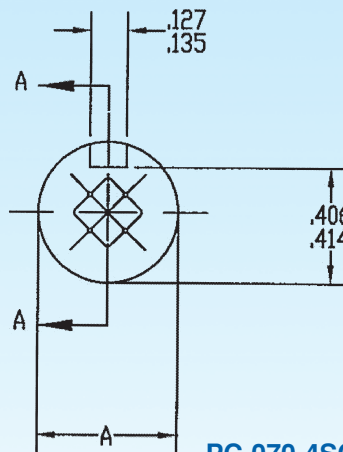
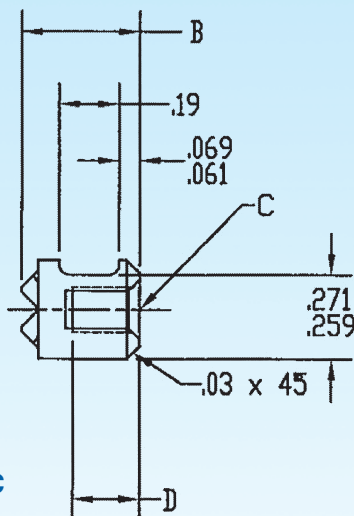
Kit Number	A Dia/Width	B Height	C Thd. Size	D Tap Depth
PC0454SCK	.312" dia.	.375	#10-32	.19
PC0704SCK	.500" dia.	.500	#10-32	.19
PC07012SCK	.500" dia.	.500	#10-32	.25
PC110K	.561" wide	.375	#10-32	.25
PC1274SCK	.561" wide	.375	#10-32	.22
PC1274SCSK	.391" wide	.375	#10-32	.25
PC12710SCK	.561" wide	.375	#10-32	.25
PC1278SCK	.561" wide	.375	#10-32	.25
PC1284SCK	.750" wide	.500	1/4-28	.25
PC1302SCSK	.396" wide	.375	#10-32	.25
PC1304SCK	.561" wide	.375	#10-32	.25
PC1322SCSK	.396" wide	.375	#10-32	.25
PC1324SCK	.561" wide	.375	#10-32	.25
PC1455SCK	.561" wide	.375	#10-32	.25

Sold in kits of (10) pieces (includes hardware)

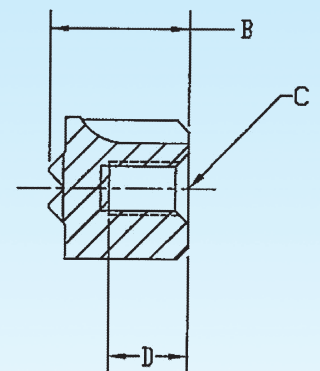
Solid round carbide inserts available in various diameters, heights and tooth patterns with a tapped hole for mounting.



PC-045-4SC



PC-070-4SC & 12SC



ROUND STYLE - GENERAL DIMENSIONS

ITW Workholding Group

Workholding Solutions
Worldwide



FORKARDT
AN ITW WORKHOLDING COMPANY



Buck Chuck
An ITW Workholding Company

L O C A T I O N S W O R L D W I D E

FORKARDT DEUTSCHLAND GMBH
Heinrich-Hertz-Str. 7
D-40699 Erkrath
Tel: (+49) 211-25 06-0
Fax: (+49) 211-25 06-221
E-Mail: info@forkardt.com

FORKARDT SCHWEIZ AG
Industriestrasse 3
CH-8307 Effretikon
Tel: (+41) 52-3 5531 31
Fax: (+41) 52-3 4352 40
E-Mail: info-ch@forkardt.com

FORKARDT FRANCE S.A.R.L.
28 Avenue de Bobigny
F-93135 Noisy le Sec Cédex
Tel: (+33) 1-41 83 12 40
Fax: (+33) 1-48 40 47 59
E-Mail: forkardt.france@forkardt.com

BUCK CHUCK
2155 Traversefield Drive
Traverse City, MI 49686, USA
Tel: (+1) 231-995-8312
Fax: (+1) 231-947-4953
E-Mail: buck.forkardt@forkardt.com

N.A. WOODWORTH
2002 Stephenson Hwy.
Troy, MI 48083, USA
Toll Free: 800.544.3823
E-Mail: sales@itworkholding.com
Website: www.itworkholding.com

www.forkardt.com

www.itworkholding.com